

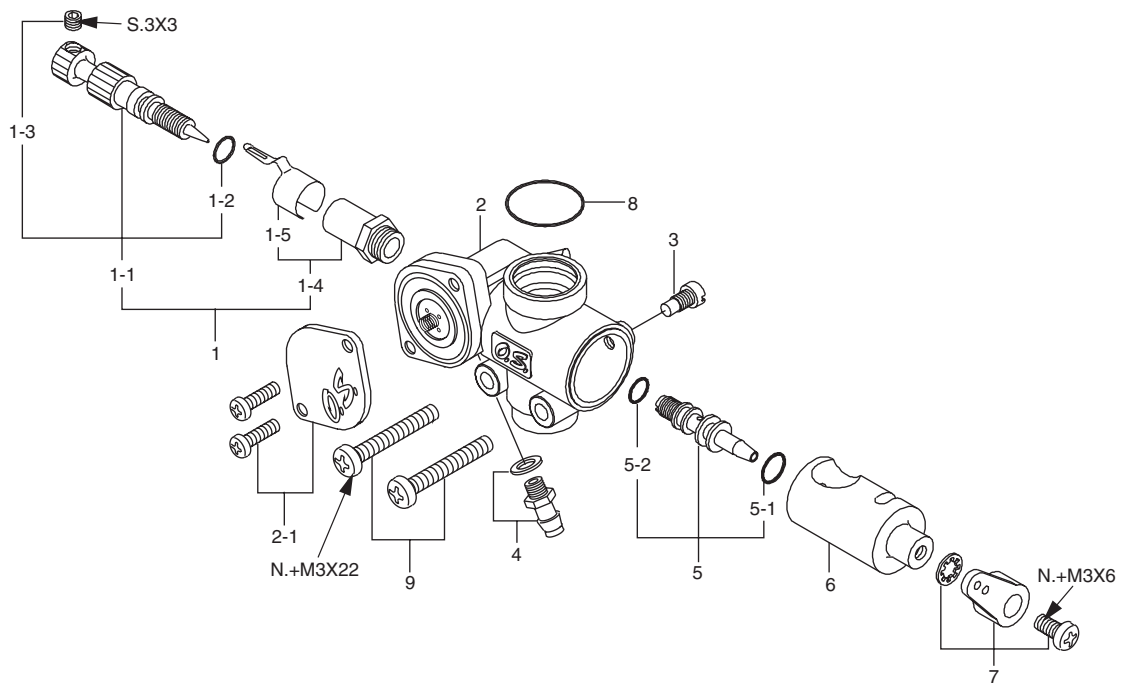
*Type of screw

C...Cap Screw M...Oval Fillister-Head Screw

F...Flat Head Screw N...Round Head Screw S...Set Screw

No.	Code No.	Description
1	45913000	Screw Set
2	45904210	Rocker Cover
3	45961400	Rocker Support Assembly
3-1	45961410	Rocker Support
3-2	45761600	Rocker Arm Retainer (2pc./1pair)
4	45361000	Rocker Arm Assembly (1pair)
4-1	45361100	Rocker Arm (1pc.)
4-2	45061202	Tappet Adjusting Screw
5	45960000	Intake Valve Assembly (1pair)
5-1	45960100	Intake Valve (1pc.)
5-2	45960210	Valve Spring (1pc.)
5-3	45960310	Valve Spring Retainer (1pc.)
5-4	45960400	Split Cotter (2pc./1pair)
6	45960010	Exhaust Valve Assembly (1pair)
6-1	45960110	Exhaust Valve (1pc.)
6-2	45960210	Valve Spring (1pc.)
6-3	45960310	Valve Spring Retainer (1pc.)
6-4	45960400	Split Cotter (2pc./1pair)
7	45904110	Cylinder Head (w/Gasket)
8	45904011	Cylinder Head (w/valve Assembly)
9	45968000	Intake Pipe Assembly
9-1	45968100	Intake Pipe
9-2	45771000	Breather Nipple (No.5)
10	45983000	Carburetor Complete (Type 60N)
11	45903400	Piston Ring
12	45903200	Piston
13	45906000	Piston Pin
14	45605000	Connecting Rod
15	46103100	Cylinder Liner
16	72508001	PD-07 Pump Unit

No.	Code No.	Description
17	45907010	Cover Plate
18	45902010	Crankshaft
19	45530030	Crankshaft Ball Bearing (R)
20	45914010	Gasket Set
21	45901010	Crankcase
22	45771000	Breather Nipple (No.5)
23	45231100	Camshaft Ball Bearing (1pc.)
24	45962010	Camshaft
25	45901110	Cam Cover
26	45966000	Push Rod (2pcs.)
27	45966100	Push Rod Cover Assembly (2pcs.)
27-1	45966110	Push Rod Cover (1pc.)
27-2	24881824	Push Rod Cover "O" Ring (2pcs.)
28	45564000	Cam Follower (2pcs.)
29	26731002	Crankshaft Ball Bearing (F)
30	46120000	Thrust Washer
31	45908000	Drive Hub
31-1	29008219	Woodruff Key
32	45910100	Locknut Set
	45925010	F-4020 Silencer Assembly
	45925100	Silencer Body
	45926000	Exhaust Header Pipe Assembly
	71615009	Glow Plug Type F



*Type of screw
 C...Cap Screw M...Oval Fillister-Head Screw
 F...Flat Head Screw N...Round Head Screw S...Set Screw

No.	Code No.	Description
1	27681900	Needle Valve Assembly
1-1	27681970	Needle Assembly
1-2	24981837	"O" Ring (2pcs.)
1-3	26381501	Set Screw
1-4	27381940	Needle Valve Holder Assembly
1-5	26711305	Ratchet Spring
2	45983100	Carburetor Body
2-1	45582400	60N Regulator Cover
3	45581820	Rotor Guide Screw
4	22681953	Fuel Inlet (No.1)
5	45582300	Mixture Control Valve Assembly
5-1	46066319	"O" Ring (L) (2pcs.)
5-2	24881824	"O" Ring (S) (2pcs.)
6	45983200	Carburetor Rotor
7	27881400	Throttle Lever Assembly
8	46115000	Carburetor Rubber Gasket
9	45581700	Carburetor Retaining Screw (2pcs.)

O.S. GENUINE PARTS & ACCESSORIES

Code No.	Description
71901100	Radial Motor Mount
72200080	Needle Valve Extension Cable Set
72109500	EX Exhaust Header Pipe (Inside fuselage)
72109600	EX Exhaust Header Pipe (Outside fuselage)
72108100	Flexible Exhaust Pipe (1111A) (120mm)
72108110	Flexible Exhaust Pipe (1111B) (240mm)
72108120	Flexible Exhaust Pipe (1111C) (170mm)
72108130	Flexible Exhaust Pipe (1111D) (330mm)
45910200	Propeller Locknut Set (For Spinner)
45910300	5/16"-M5 Propeller Locknut Set For Truturn Spinners
72200130	Booster Terminal Kit
72200110	Booster Cable Set
72403050	Super Filter (L)
71531000	Non-Bubble Weight
72200060	Valve Adjusting Tool Kit
79871040	M2.6x12 Cap Screw Set (10pcs.)
79871060	M3.5x8 Cap Screw Set (10pcs.)
79871090	M3.5x15 Cap Screw Set (10pcs.)
79871100	M3.5x20 Cap Screw Set (10pcs.)
71521000	Long Socket Wrench With Plug Grip