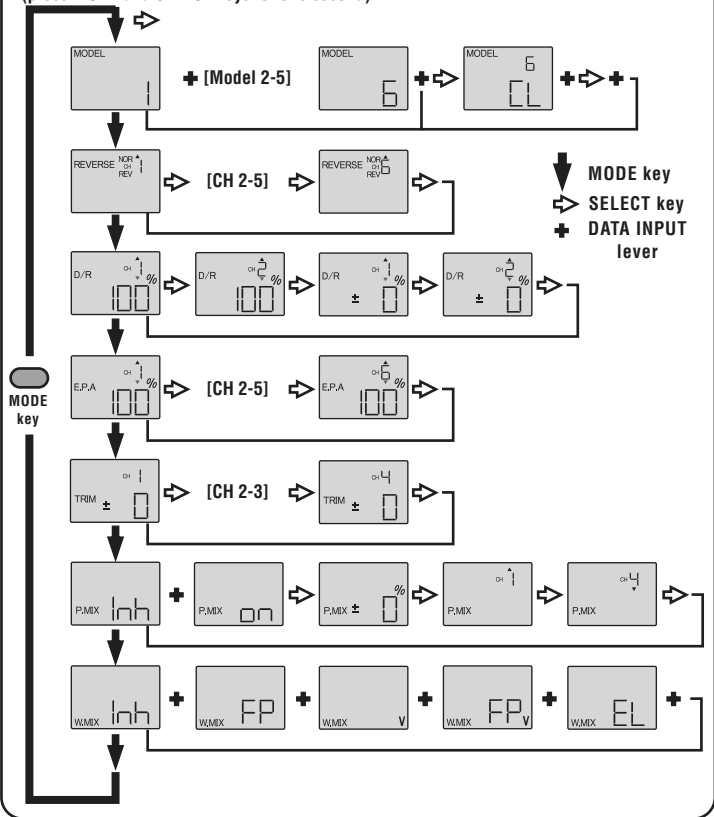


# FLOW CHART for T6EXA FUNCTIONS

To enter or leave Programming Mode, press MODE and SELECT keys simultaneously for one second.

(press MODE and SELECT keys for one second)



## MODEL 1

Model Name	Battery Size

## MODEL 2

Model Name	Battery Size

## MODEL 3

Model Name	Battery Size

## MODEL 4

Model Name	Battery Size

## MODEL 5

Model Name	Battery Size

## MODEL 6

Model Name	Battery Size

### RECEIVER CHANNEL ASSIGNMENTS

- |              |                  |
|--------------|------------------|
| 1 = AILERON  | 4 = RUDDER       |
| 2 = ELEVATOR | 5 = LANDING GEAR |
| 3 = THROTTLE | 6 = FLAPS        |

## QUICK-START PROGRAMMING GUIDE

Press the MODE and SELECT keys simultaneously and hold them down for one second to enter the **programming mode**. Use the MODE key to display the seven different functions. Use the SELECT key to display the values within each function. Use the DATA INPUT lever to change the values.

To change the **model number**, press the DATA INPUT lever until the desired model number is displayed.

To **reverse servos**, press the MODE key until the REVERSE function is displayed. Use the SELECT key to display the channel number to be reversed. Use the DATA INPUT lever to reverse the servo.

To change the **dual rates**, press the MODE key until the D/R function is displayed. Use the SELECT key to display the desired channel number. Put the dual rate switch in the desired position, then use the DATA INPUT lever to change the value (throw).

To change the **end points**, press the MODE key until the E.P.A. function is displayed. Use the SELECT key to display the desired channel number. Move the control (stick, dial, switch) to the direction of the end point to be changed. Use the DATA INPUT lever to change the end point.

To change the **trim** (channels 1 – 4 only), press the MODE key until the TRIM function is displayed. Use the SELECT key to display the desired channel. Use the DATA INPUT lever to change the value.

To activate the **programmable mix**, press the MODE key until the P.MIX function is displayed. Use the DATA INPUT lever to activate the mix. Use the SELECT key to display the Master channel (with the arrow **above** the number). Use the DATA INPUT lever to select the desired Master channel. Press the SELECT key to display the Slave channel (with the arrow **below** the number). Use the DATA INPUT lever to select the desired Slave channel. Press the SELECT key to display the % symbol, then use the DATA INPUT lever to set the desired mixing percentage.

To activate one of the four **wing mixing** functions, press the MODE key until the W.MIX function is displayed. Press the DATA INPUT lever to select the FP (flaperon mixing), v (V-tail mixing), FPv (flaperon + V-tail mixing), or EL (elevator mixing).

Press the MODE and SELECT keys simultaneously to return to the "home" screen and display the active model number and the transmitter voltage.